

Customer Name:.....  
 Sales Order No:.....  
 Gate Height:.....  
 Gate Width:.....  
 Salesman:.....

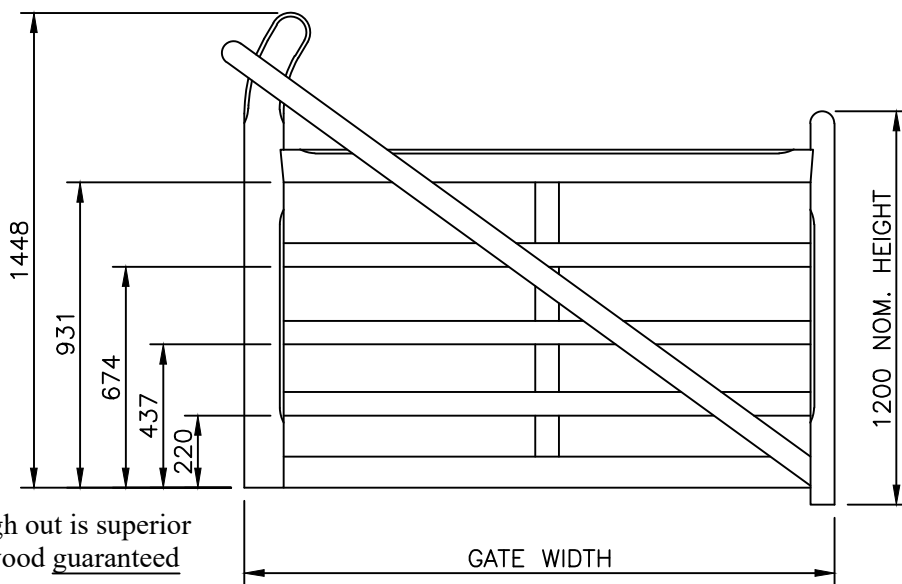
NOTE: HINGES WILL BE FITTED AS STANDARD UNLESS INDICATED

IF FITTINGS ARE REQUIRED TO BE SUPPLIED SEPARATELY PLEASE TICK BOX.....

# Wide Entrance Gate

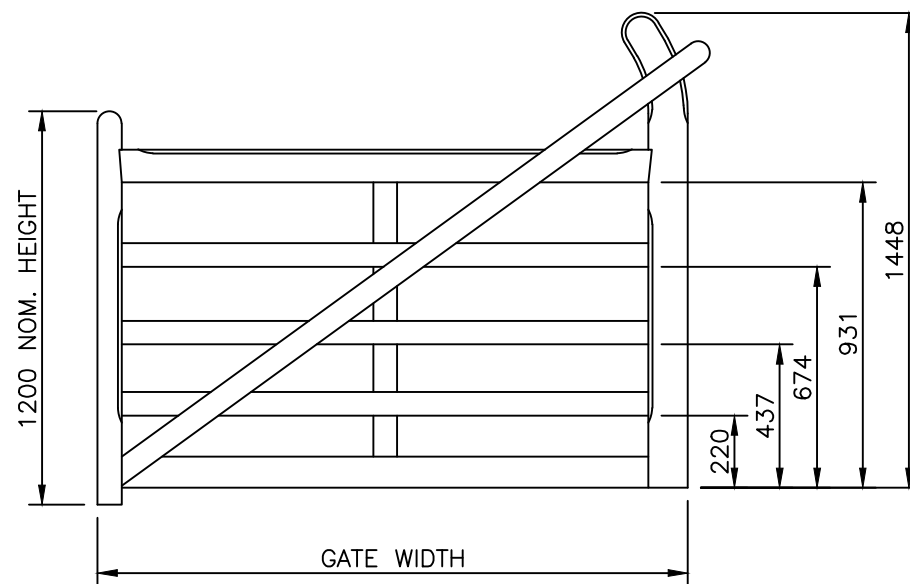
Specification (Above 1.2m - 2.0m Wide)

Gates are 1.2m high except for the curved hanging stile which is 1.5m 125 x 75mm. Slam stile is 75 x 75mm. Top rail is 100 x 75mm, under rail 75 x 95mm and cross braces 75 x 25mm. Supplied in natural jakcured finish.



VIEWED FROM OUTSIDE  
 GATE LEFT HAND HANGING.  
 (AUTOMATED)

**Maunfacture Tolerance**  
 +/-5mm



VIEWED FROM OUTSIDE  
 GATE RIGHT HAND HANGING.  
 (AUTOMATED)

- All timber used through out is superior quality Jakcured softwood guaranteed for 25 years
- The timber is machined to a standard size, stop chamfered and planed
- All rail and cross bracings are bolted with stainless steel bolts
- All joints are morticed and tenoned
- Traditional attractive designs

DO NOT SCALE – IF IN DOUBT ASK



Stowting Common, Near Ashford,  
 Kent. TN25 6BN  
 Telephone: 01233 750393  
 Fax: 01233 750403  
 www.jacksons-fencing.co.uk  
 www.jacksons-security.co.uk

- ④ 08/11/18 Rail Pitch Dims Added
- ③ 04/01/07 Stiles Flush if Automated
- ② 13/02/06 Auto Note Added
- ① 13/11/04 UPDATE

|               |                 |  |                             |
|---------------|-----------------|--|-----------------------------|
| Drawn WB      |                 | TITLE<br>WIDE ENTRANCE GATE<br>(AUTOMATED) |                             |
| Date 13/11/04 |                 |  |                             |
| Checked       |                 | CUSTOMER                                   | Drawing No.                 |
| Size A3       | Scale NTS U.O.S | ACK No.                                    | 04 J7/02094<br>Sheet 1 of 7 |