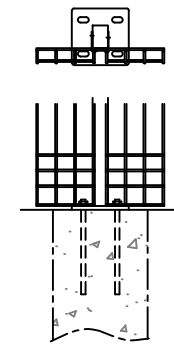
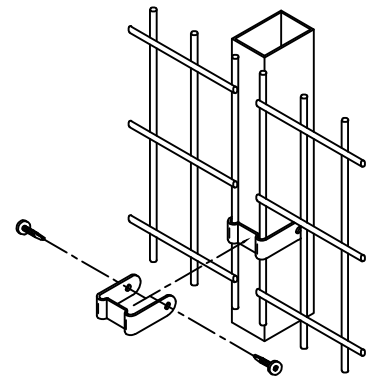


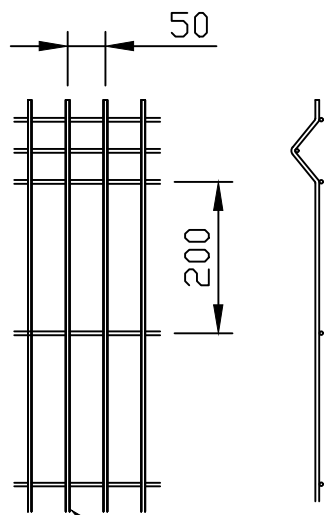
150 x 10 thk x 150
BASEPLATE DRILLED FOR
4 No. M12 CHEMICAL FIXINGS



BASEPLATED POSTS
(OPTIONAL)

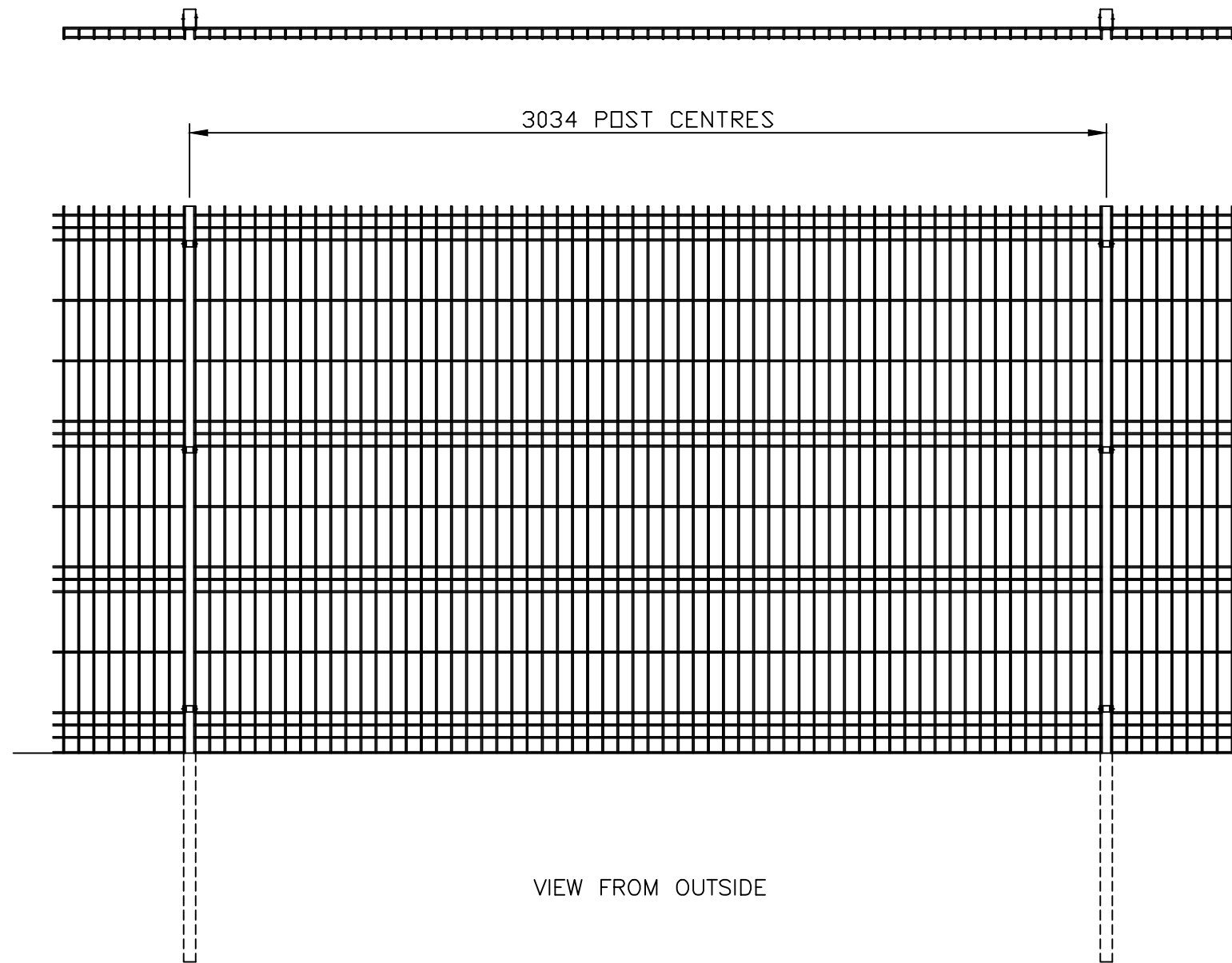


FIXING BRACKET
DETAIL

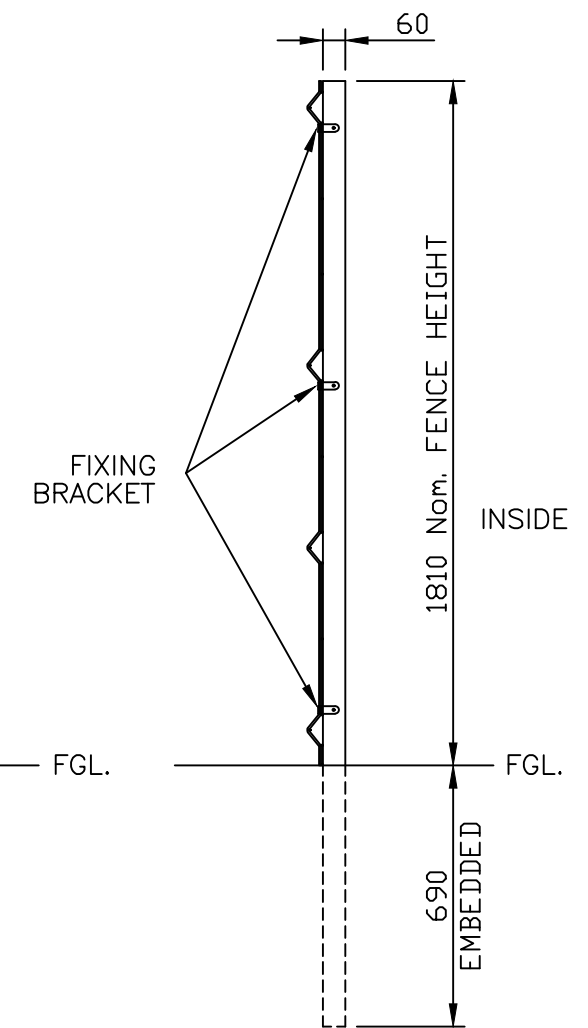


ø5mm WIRE

MESH DETAILS



VIEW FROM OUTSIDE



NOTES.

ALL DIMENSIONS ARE IN mm (UNO)
GAPS UNDER GATES ARE
NOMINAL DUE TO GROUND LEVELS.

MATERIALS.

POST: 60 x 40 RHS (TYPICAL)
(POSTS ASSESSED TO SITE LOCATION)

FINISH.

GALVANISED TO BS EN ISO 1461
POWDER COATED: IF REQUESTED

**Jacksons
Fencing**

Stowting Common, Near Ashford,
Kent. TN25 6BN
Telephone: 01233 750393
Fax: 01233 750403
www.jacksons-fencing.co.uk
www.jacksons-security.co.uk

DO NOT SCALE – IF IN DOUBT ASK

- ⑤ 19/02/2020 NEW BORDER + NOTES UPDATED
- ④ 25/06/2018 BASEPLATE OPTION
- ③ 25/02/11 50mm Wire Centres
- ② 04/01/10 Panels Corrected
- ① 29/09/08 Panel Width Now 3m

Drawn S.leeper
Date 15/06/2006
Checked Chris J
Size A3
Scale 1:20
U.O.S

TITLE SALES DRAWING
1.8m HIGH EUROGUARD REGULAR FENCE
CUSTOMER
ACK No.
Drawing No.
J6/01058
Sheet 2

This Drawing Is The Property Of H.S. Jackson & Son (Fencing) Ltd, And May Not Be Copied Or Reproduced In Any Way Without Prior Written Permission.