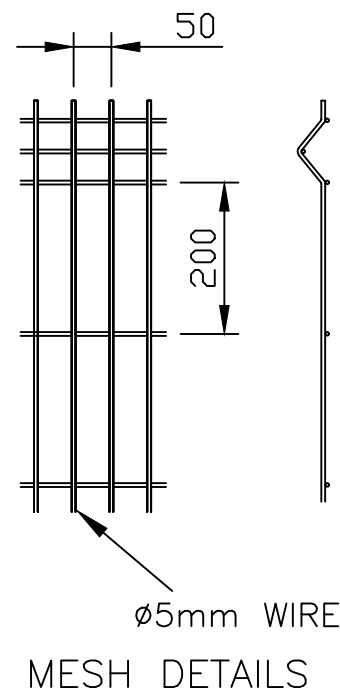


FIXING BRACKET
DETAIL



NOTES.

ALL DIMENSIONS ARE IN mm (UNO)
GAPS UNDER GATES ARE
NOMINAL DUE TO GROUND LEVELS.

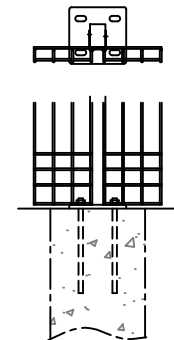
MATERIALS.

POST: 60 x 40 RHS (TYPICAL)
(POSTS ASSESSED TO SITE LOCATION)

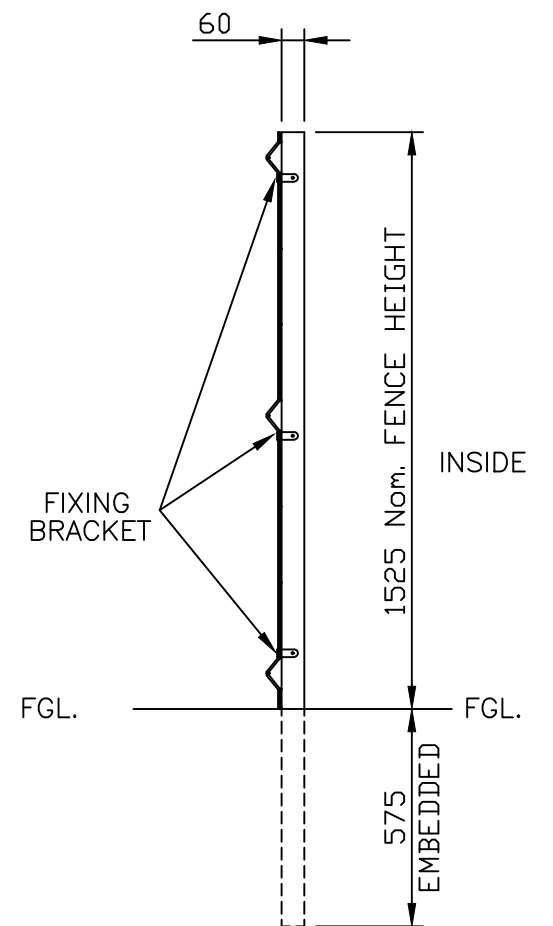
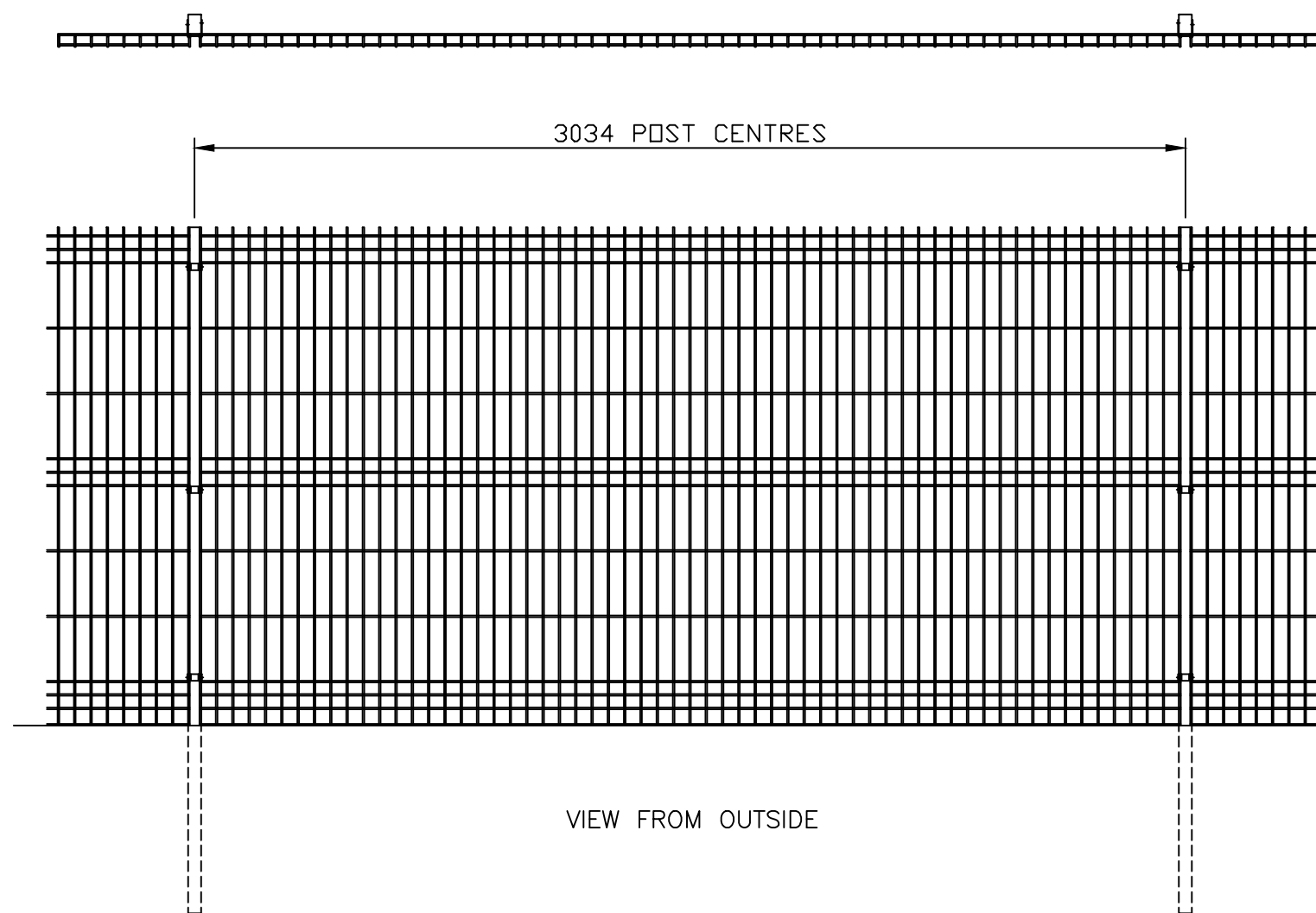
FINISH.

GALVANISED TO BS EN ISO 1461
POWDER COATED: IF REQUESTED

150 x 10 thk x 150
BASEPLATE DRILLED FOR
4 No. M12 CHEMICAL FIXINGS



BASEPLATED POSTS
(OPTIONAL)



**Jacksons
Fencing**

Stowting Common, Near Ashford,
Kent. TN25 6BN
Telephone: 01233 750393
Fax: 01233 750403
www.jacksons-fencing.co.uk
www.jacksons-security.co.uk

DO NOT SCALE – IF IN DOUBT ASK

- ⑥ 19/02/2020 NEW BORDER + NOTES UPDATED
- ⑤ 25/06/2018 BASEPLATE OPTION
- ④ 25/02/11 50mm Wire Centres
- ③ 04/01/10 Panels Corrected
- ② 10/11/09 POST EMBEDMENT

Drawn S.leeper
Date 15/06/2006
Checked Chris J
Size A3
Scale 1:20
U.O.S

TITLE SALES DRAWING
1.5m HIGH EUROGUARD REGULAR FENCE
CUSTOMER
ACK No.
Drawing No.
J6/01058
Sheet 1