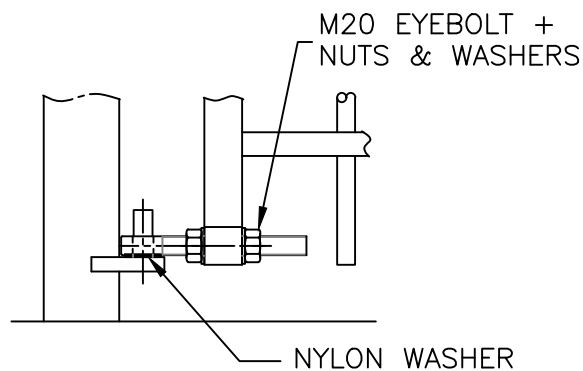
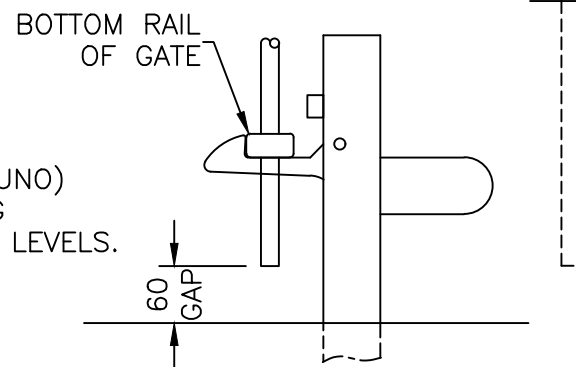


TOP HINGE DETAIL



BOTTOM HINGE DETAIL  
(SCALE 1:8)



HOLD BACK LATCH POST  
(SCALE 1:8)

**NOTES.**

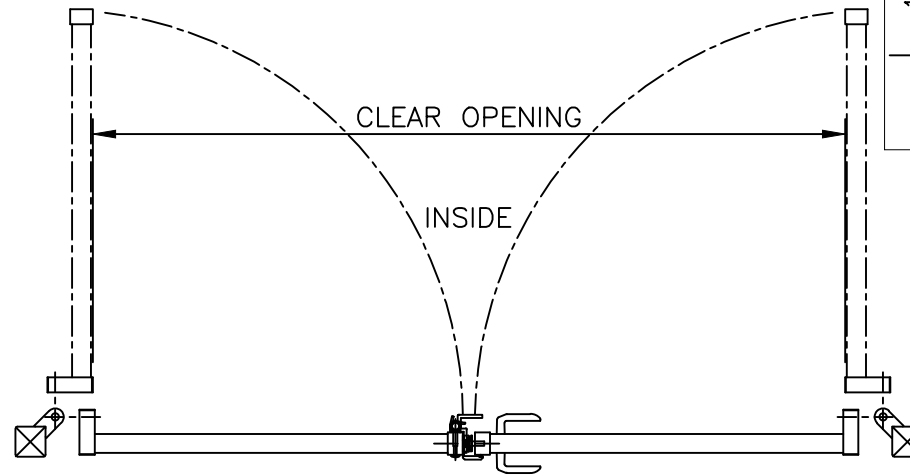
ALL DIMENSIONS ARE IN mm (UNO)  
GAPS UNDER GATES & FENCING  
ARE NOMINAL DUE TO GROUND LEVELS.

**MATERIALS.**

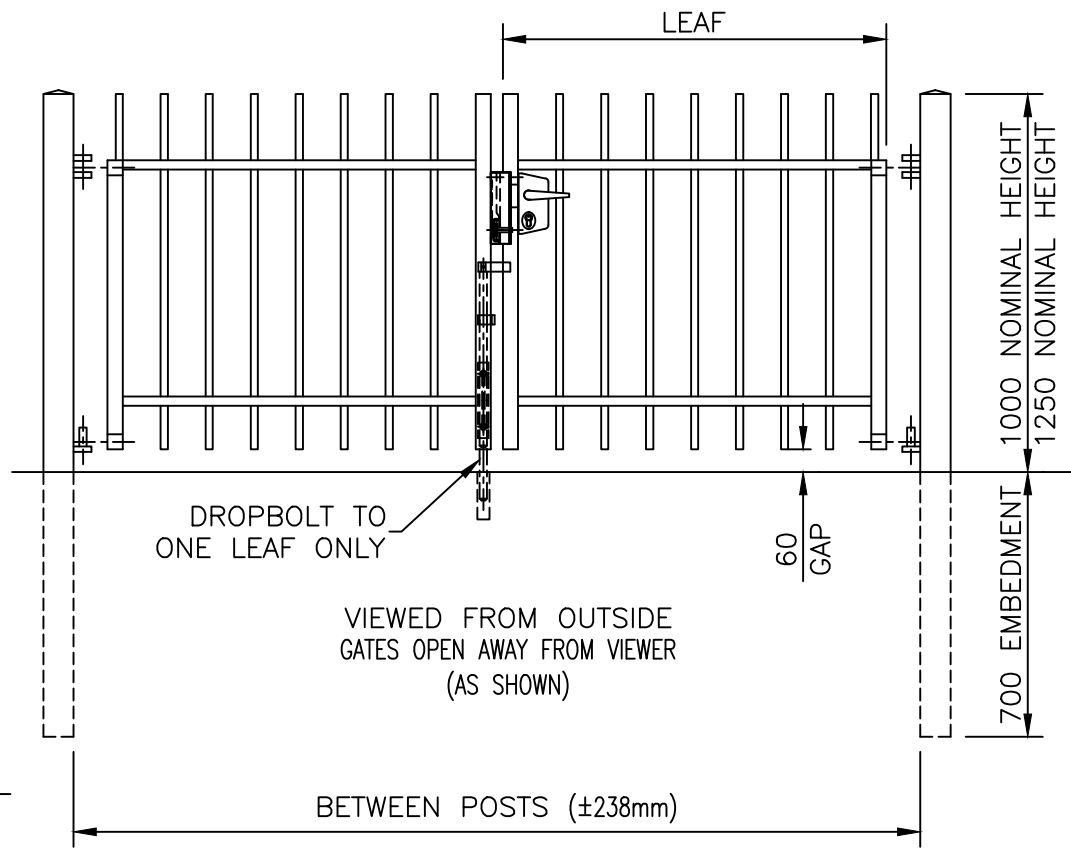
HANG POST: SEE TABLE  
RAILS: 50 x 25 RHS  
STILES: 60 x 40 RHS  
PALES:  $\phi$ 19 CHS

**FINISH.**

GALVANISED TO BS EN ISO 1461  
POWDER COATED: IF REQUESTED

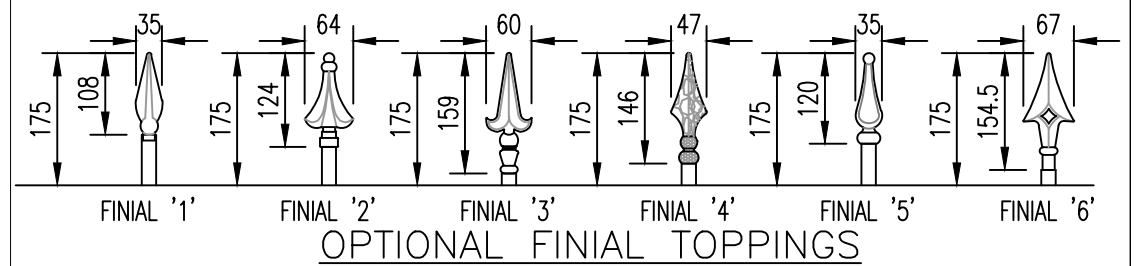


GATES SECURED USING  
DROPBOLT & KEY LOCK



VIEWED FROM OUTSIDE  
GATES OPEN AWAY FROM VIEWER  
(AS SHOWN)

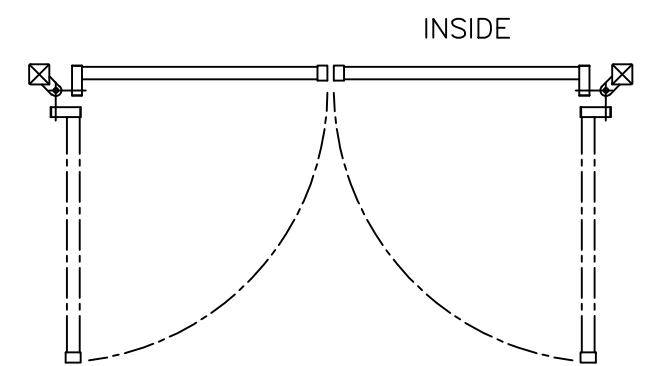
1m & 1.25m STANDARD FENCE HEIGHTS



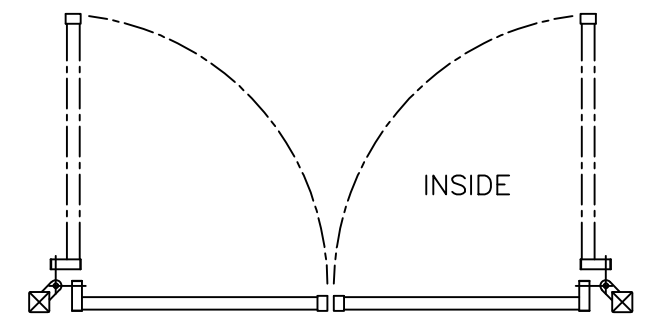
OPTIONAL FINIAL TOPPINGS

DOUBLE GATES (KEY LOCK)

BETWEEN POSTS	CLEAR OPENING	LEAF	POST SIZE
2002	1752	895	80 x 80 SHS
2240	1990	1014	80 x 80 SHS
2478	2228	1133	80 x 80 SHS
2716	2466	1252	80 x 80 SHS
2954	2704	1371	80 x 80 SHS
3192	2942	1490	80 x 80 SHS
3430	3180	1609	100 x 100 SHS
3668	3418	1728	100 x 100 SHS
3906	3656	1847	100 x 100 SHS
4144	3894	1966	100 x 100 SHS
4382	4132	2085	100 x 100 SHS
4620	4370	2204	100 x 100 SHS



OPEN OUT



OPEN IN

**Jacksons Fencing**

Stowting Common, Near Ashford,  
Kent. TN25 6BN  
Telephone: 01233 750393  
Fax: 01233 750403  
www.jacksons-fencing.co.uk  
www.jacksons-security.co.uk

DO NOT SCALE - IF IN DOUBT ASK

1 17/05/2018 UPDATED & CORRECTED  
0 31/05/2017 Original Issue

Drawn NM  
Date 31/05/2017  
Checked CJ  
Size A3 Scale 1:20 U.O.S

TITLE IMPERIAL 'RESIDENTIAL' DOUBLE GATES  
SALES DRAWING (KEY LOCK)

CUSTOMER  
ACK No.

Drawing No.  
J1/02157  
Sheet 4

This Drawing Is The Property Of H.S. Jackson & Son (Fencing) Ltd, And May Not Be Copied Or Reproduced In Any Way Without Prior Written Permission.