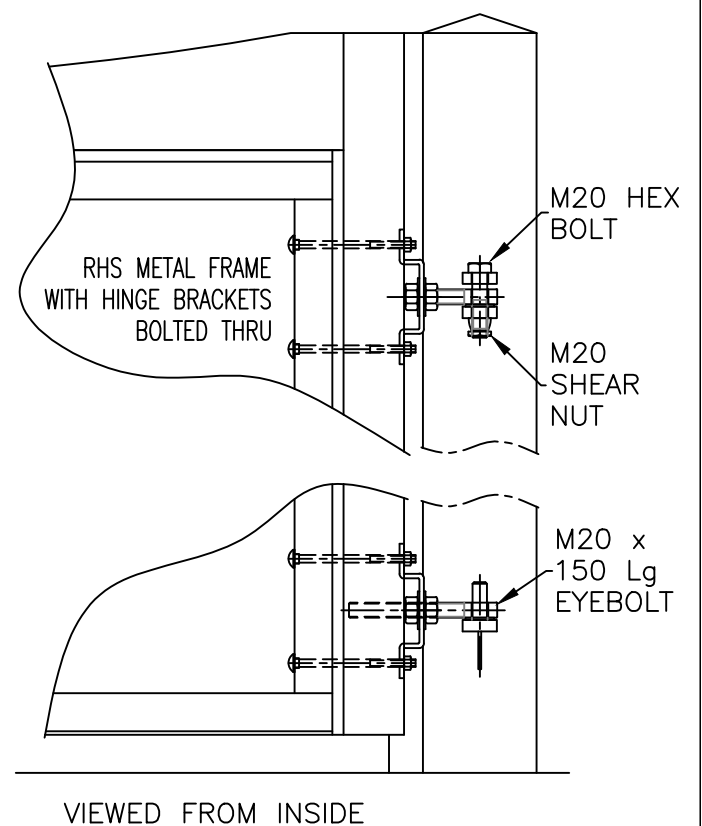
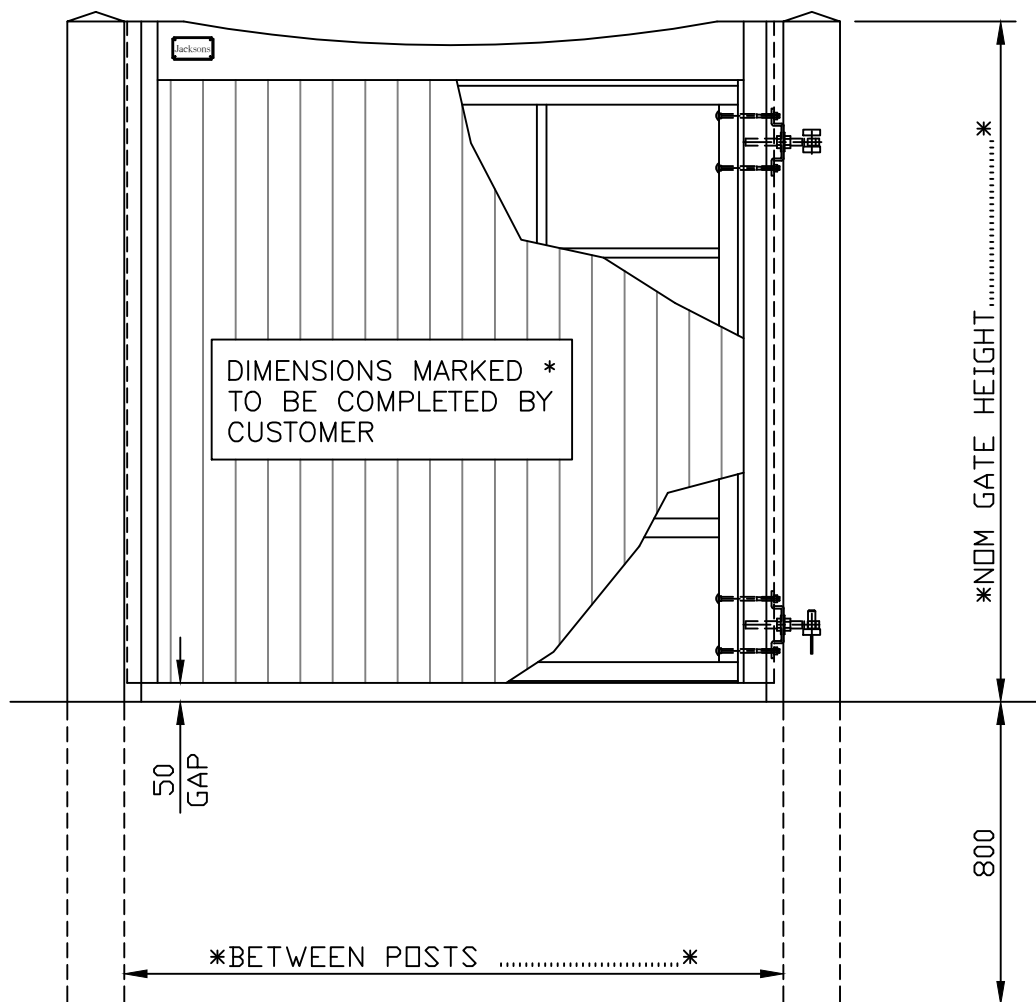
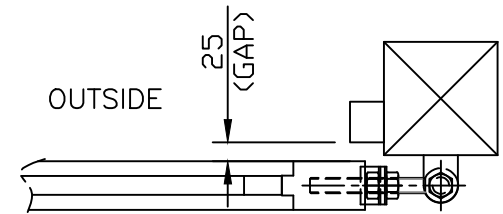
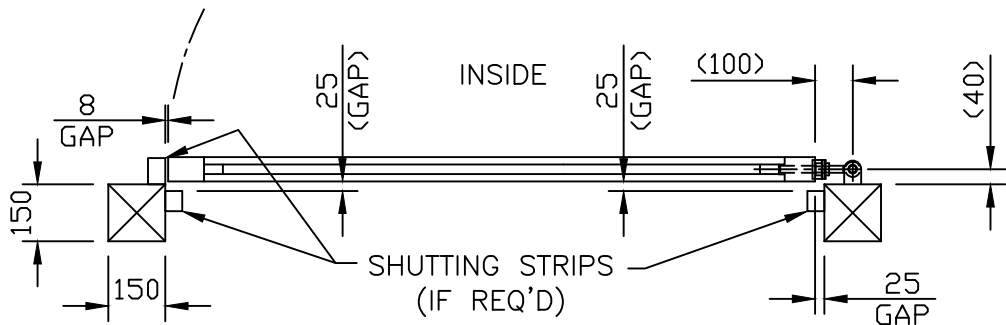
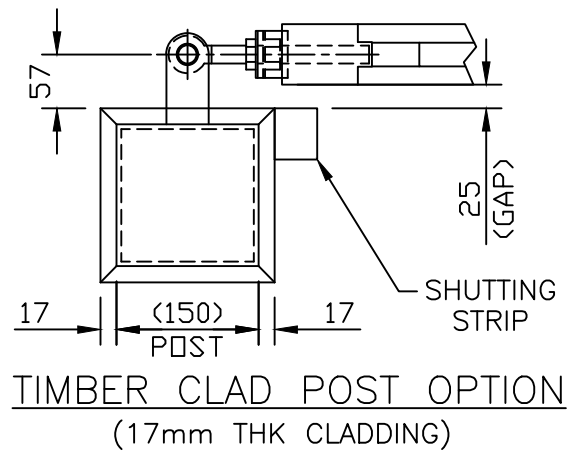


CUSTOMER NAME: .....  
 ACK No. ....  
 SALESMAN: .....  
 LEFT or RIGHT HAND HANG: .....  
 SPECIAL INSTRUCTIONS: .....



VIEWED FROM OUTSIDE  
 GATES OPEN AWAY FROM VIEWER  
 RIGHT HAND HANG (SHOWN)

**NOTES.**

ALL DIMENSIONS ARE IN mm (UNO)  
 GAPS UNDER GATES & FENCING  
 ARE NOMINAL DUE TO GROUND LEVELS.

**MATERIALS.**

GATE POSTS: 150 x 150 SHS

**FINISH.**

TIMBER: JAKCURED  
 GALVANISED TO BS EN ISO 1461  
 POWDER COATED: IF REQUESTED

GATES CAN BE SUPPLIED WITH  
 OPTIONAL FITTINGS PACK,  
 WHICH INCLUDES:

RING LATCH  
 DROPBOLT & RECEIVER  
 STOP POST & CABIN HOOK

JACKSONS RESERVE THE RIGHT TO  
 CHANGE THE STANDARD DESIGN TO  
 IMPROVE THE PRODUCT AT ANY TIME

Drawn NM	Checked	(15) 01/05/2018 EYEBOLT FIXINGS CORRECTED
Date 24/09/01	Size A3	(14) 27/04/2017 BORDER + BOT MID RAIL
Scale 1:20 U.O.S		(12) 10/01/17 SHEAR NUT REV'D

DO NOT SCALE – IF IN DOUBT ASK



Stowting Common, Near Ashford, Kent. TN25 6BN  
 Telephone: 01233 750393 Fax: 01233 750403  
 Int. Tel: +44 (0)1233 750393  
 www.jacksons-fencing.co.uk  
 www.jacksons-security.co.uk

TITLE SALES DRAWING – SINGLE SANDWICH COURTYARD GATES

CUSTOMER

Drawing No.

J7/02133

Sheet 1A

ACK No.